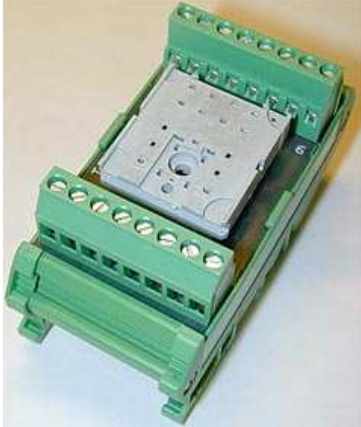




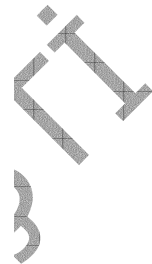
## SOCKETS

PAV à vis pour série 1800 et GE

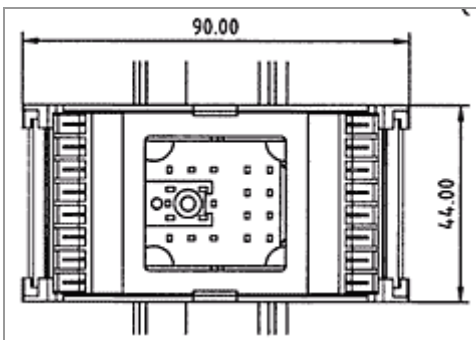


**TEC**

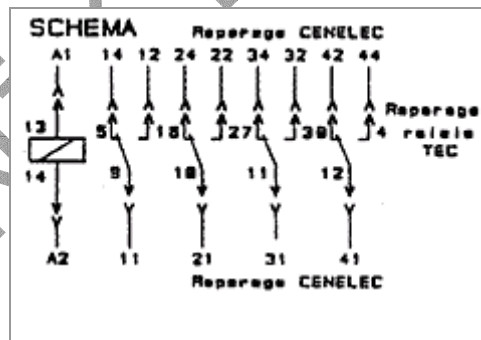
front wiring socket /  
screw terminals 9877



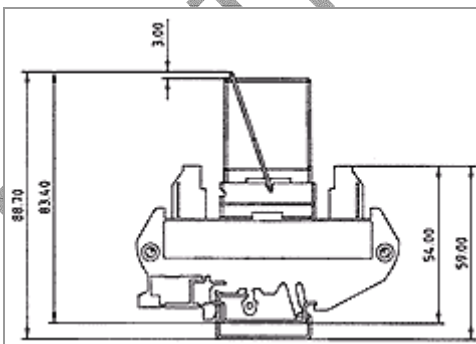
### Dimensions



### Connection



### ASSEMBLY



### TECHNICAL FEATURES

- \* TEC or CENELEC numbering
- \* Mounting on symmetrical or dissymmetrical DIN track
- \* Connection : screw terminals with maximum wire dimension of 2.5 mm<sup>2</sup> - max. wire strapping length of 6.5 mm.
- \* Moulding material : thermoplastic PVC UL 94 V0

#### VERSIONS ▶

9877 socket is a front wiring socket with screw terminals for relays of 1800 and GE series.

#### OPTIONS ▶

See detailed indication regarding mounting and withdrawal in the technical support pages of this site.

#### ACCESSORIES ▶

- \* Hold down springs ref. 9881 for relays 1804 - 1808 - 1814
- \* Hold down springs ref. 9882 for relays 1841 - 1846 - 1848
- \* Complete coding accessory ([see details in our technical support pages](#)).



İmaj Teknik Elektrik Elektronik San. ve Tic. Ltd. Şti.  
EMEKYEMEZ MAH.TUTSAK SOK. NO: 16/13-14-15  
KARAKOY/İSTANBUL  
TURKEY

Telefon : +90 212 235 9535 / 36  
Fax : +90 212 235 9537

[www.imajteknik.com](http://www.imajteknik.com)  
[www.imajteknik.com.tr](http://www.imajteknik.com.tr)

İMAJTEKNİK LTD ŞTİ